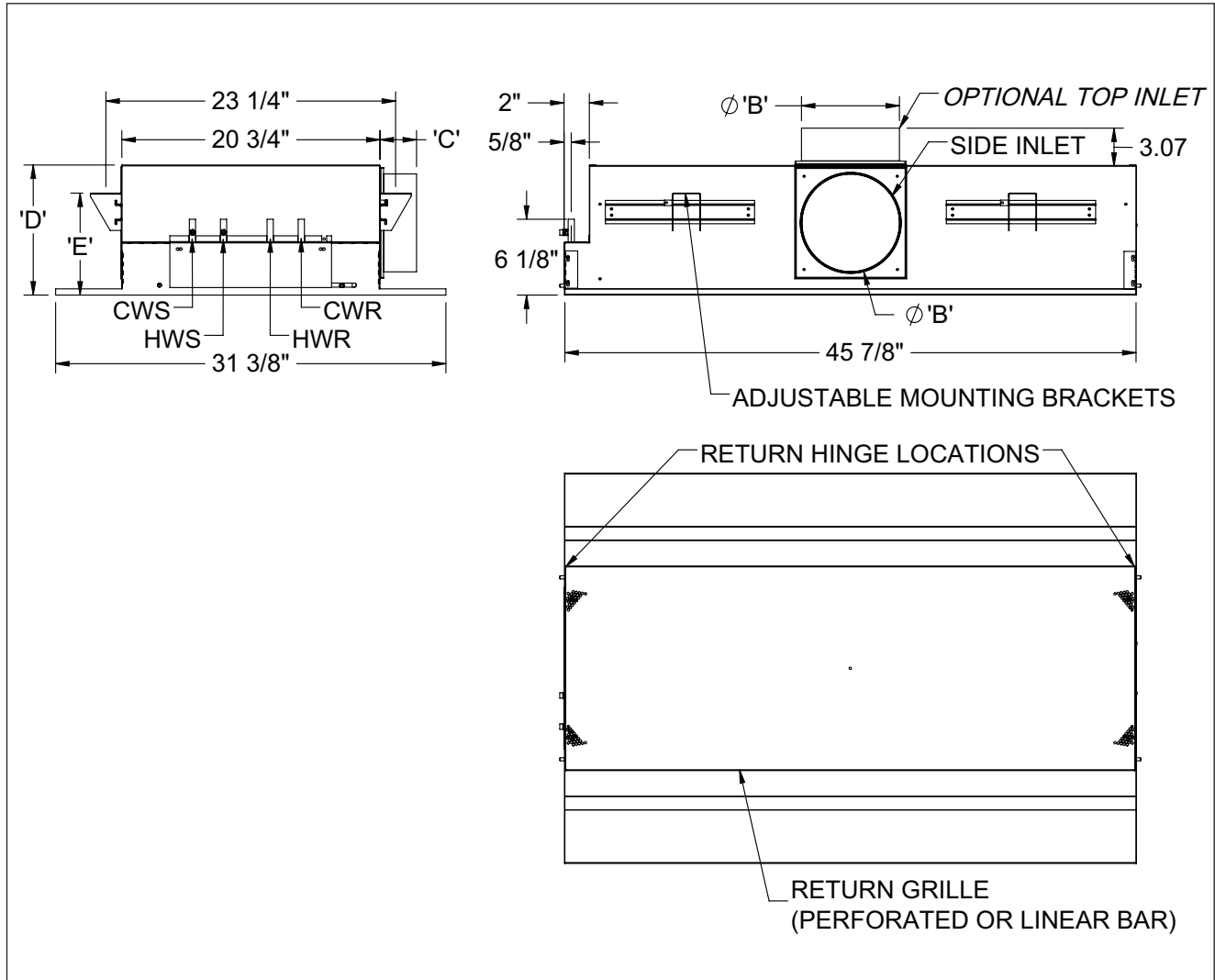


CBLE UNIT DIMENSIONS



Nominal Unit Length (ft)	'A' (IN)
2	21 ⁷ / ₈
3	33 ⁷ / ₈
4	45 ⁷ / ₈
5	57 ⁷ / ₈
6	69 ⁷ / ₈
7	81 ⁷ / ₈
8	93 ⁷ / ₈
9	105 ⁷ / ₈
10	117 ⁷ / ₈

Nominal Inlet Dia. (IN)	'B' (IN)	'C' (IN)*	'D' (IN)	'E' (IN)
5	4 ⁷ / ₈	3	8 ³ / ₈	6 ¹ / ₄
6	5 ⁷ / ₈	3	8 ³ / ₈	6 ¹ / ₄
8	7 ⁷ / ₈	3	10 ³ / ₈	8 ¹ / ₄
8**	7 ⁷ / ₈	--	8 ³ / ₈	6 ¹ / ₄

*Side Inlet Only

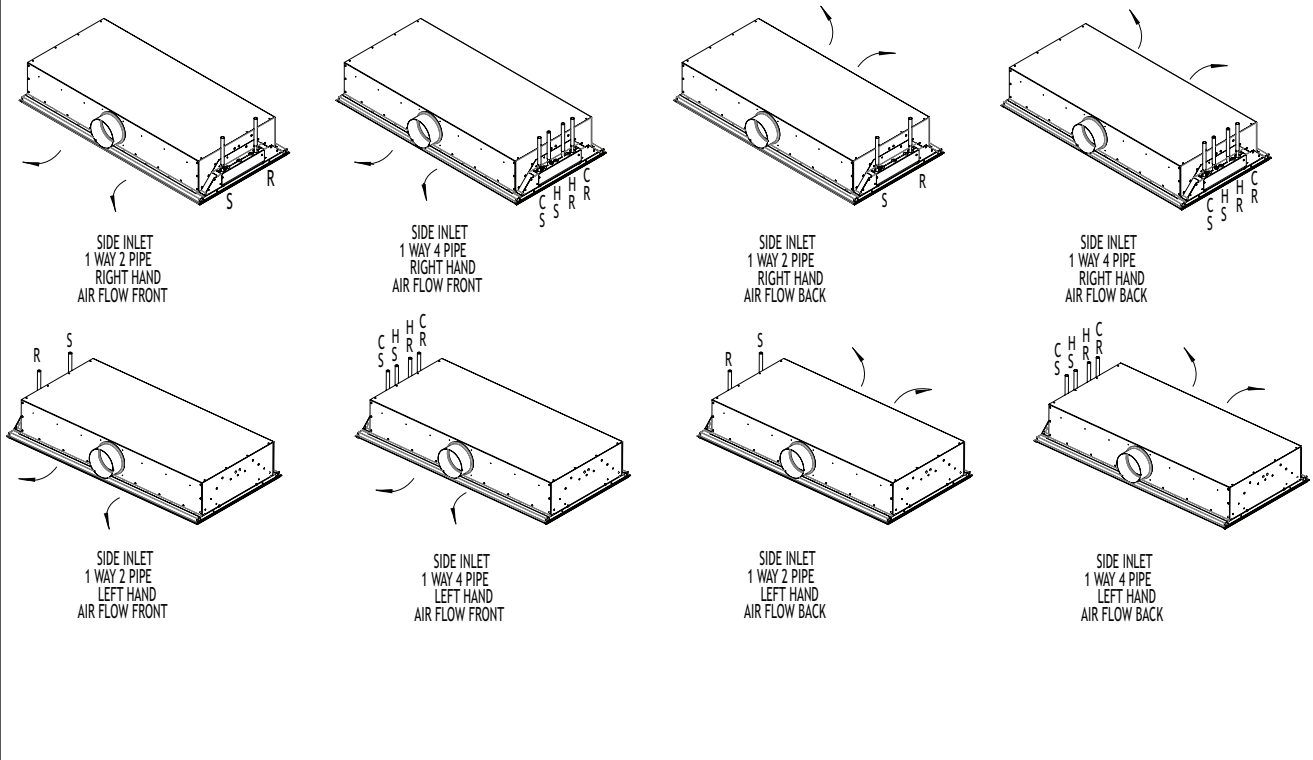
**Top Inlet Only

Integrated 1/4" pressure port for balancing/commissioning accessible from roomside opposite coil connection

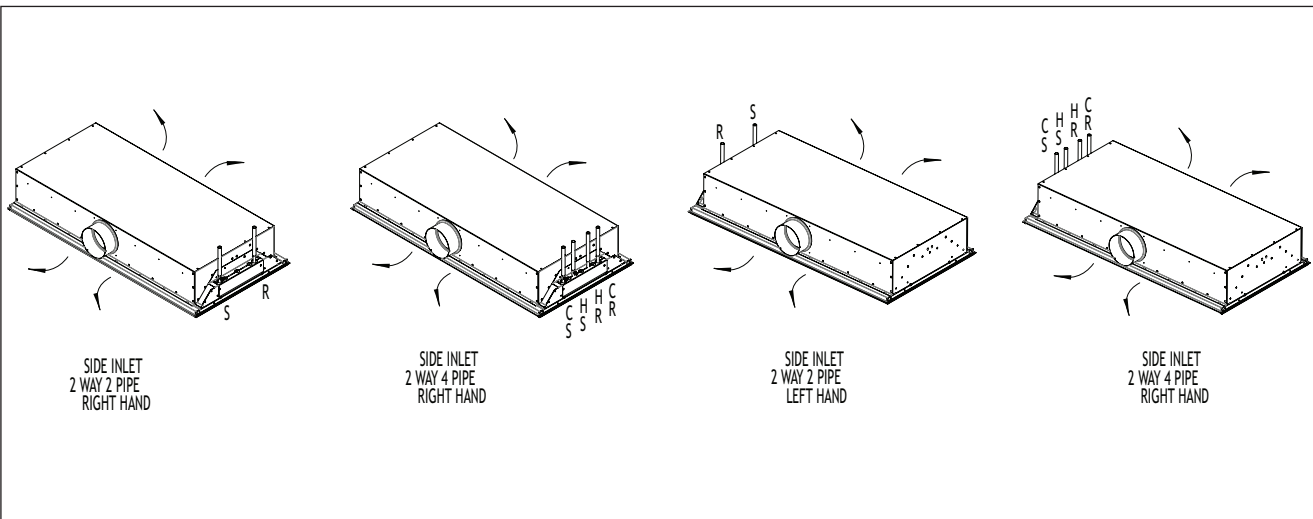


CBLE CASING ARRANGEMENTS / SIDE INLET 1-WAY

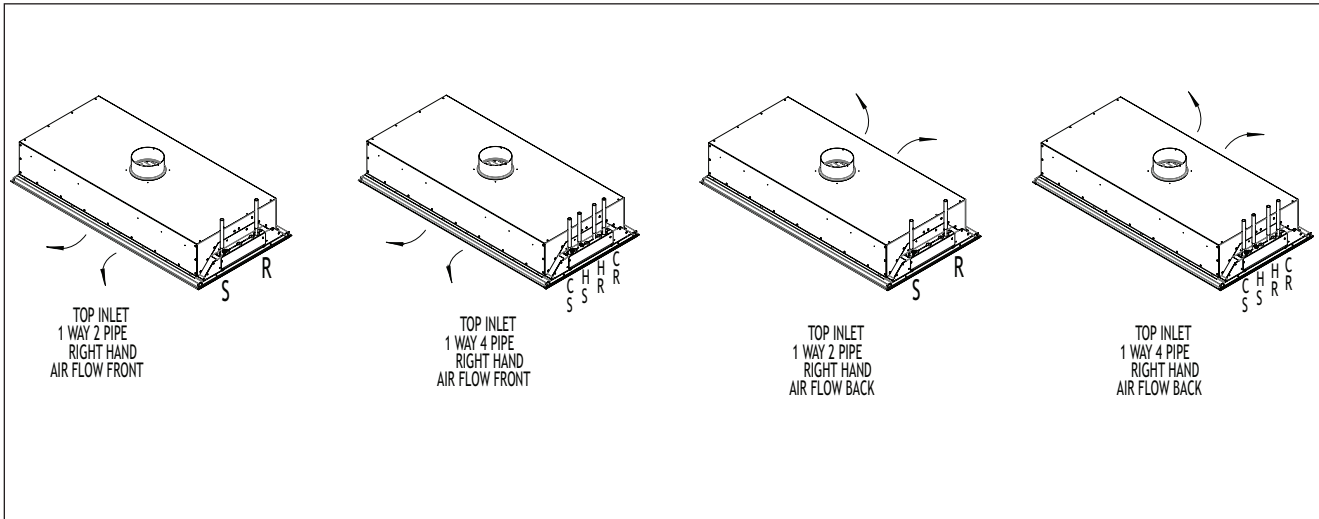
24 INCHES CASING ARRANGEMENTS



CBLE CASING ARRANGEMENTS / SIDE INLET 2-WAY



CBLE CASING ARRANGEMENTS / TOP INLET 1-WAY



CBLE CASING ARRANGEMENTS / TOP INLET 2-WAY

